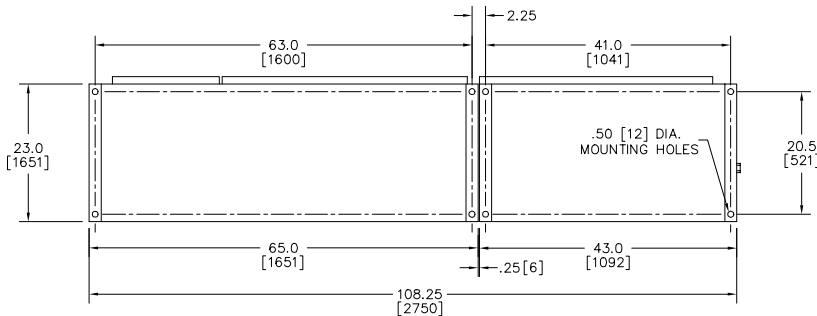
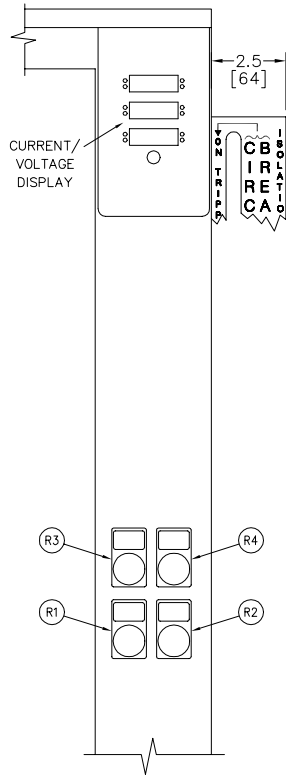


FRONT VIEW

SIDE VIEW



BOTTOM VIEW

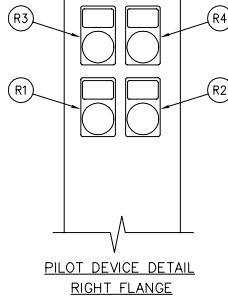
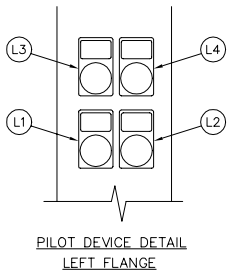


PILOT DEVICE LEGEND
LEFT FLANGE

- L1. SWITCH IN EMERGENCY LIGHT
- L2. PUSH TO TEST BUTTON
- L3. SWITCH IN NORMAL LIGHT
- L4. EMERGENCY ISO SW. OPEN LIGHT

PILOT DEVICE LEGEND
RIGHT FLANGE

- R1. START PUSH BUTTON
- R2. STOP PUSH BUTTON
- R3. POWER ON LIGHT
- R4. PHASE REVERSAL LIGHT



VOLTAGE	HORSEPOWER
230V	300 HP.
460V	600 HP.

NOTES:
ALL DIMENSIONS IN INCHES AND MILLIMETERS ([])

ENCLOSURE DIMENSIONS MODEL M300 WITH TRANSFER SWITCH 108.25" CABINET, 23" DEEP ELECTRIC FIRE PUMP CONTROLLER	DRAWN	SR	2-10-98	METRON, INC. DENVER, CO.
	CHECK	KH	2-21-98	
	APPD	J.L.	2-21-98	
CD32961A				SCALE N.T.S. SHEET 1 OF 1